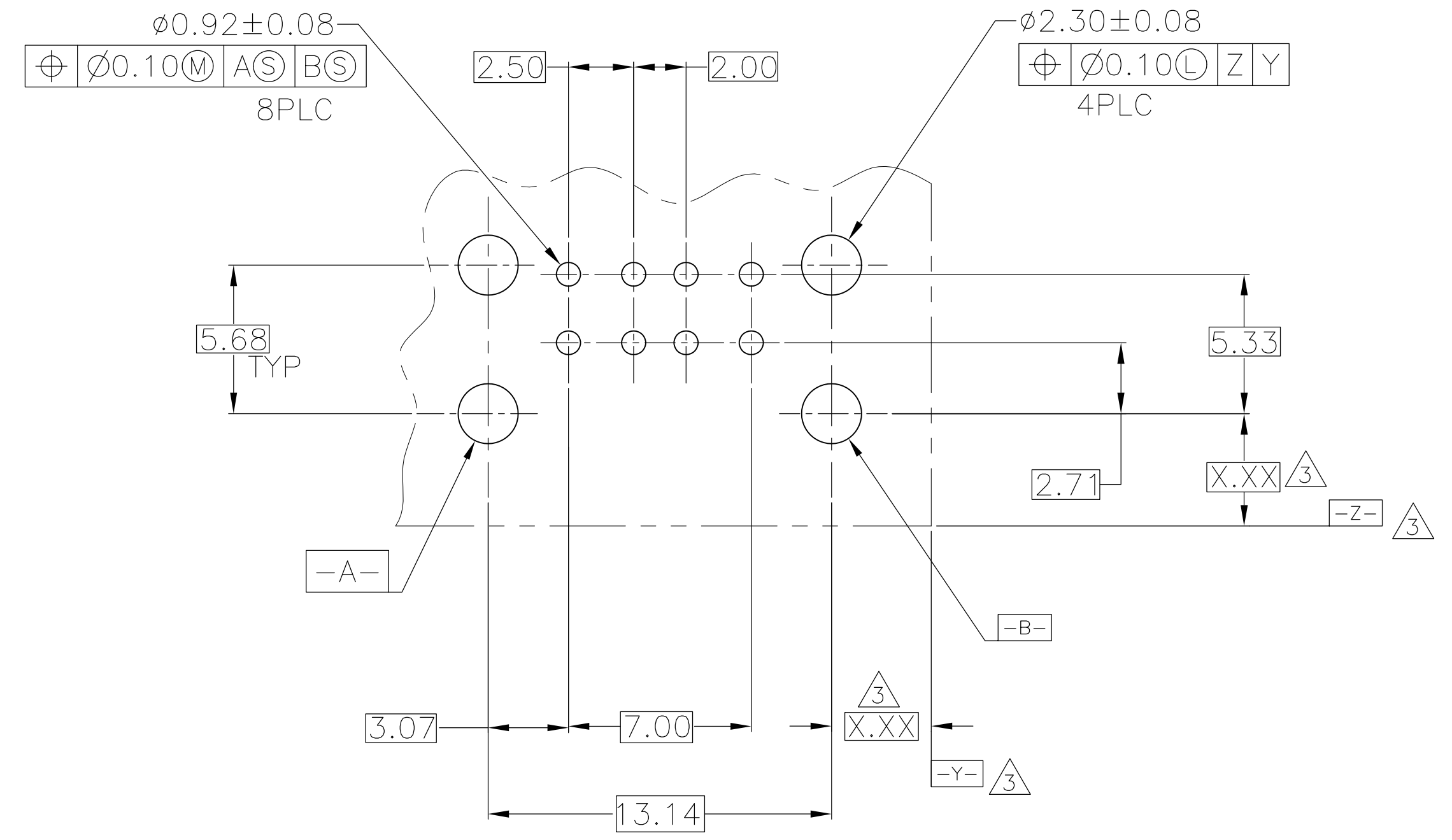
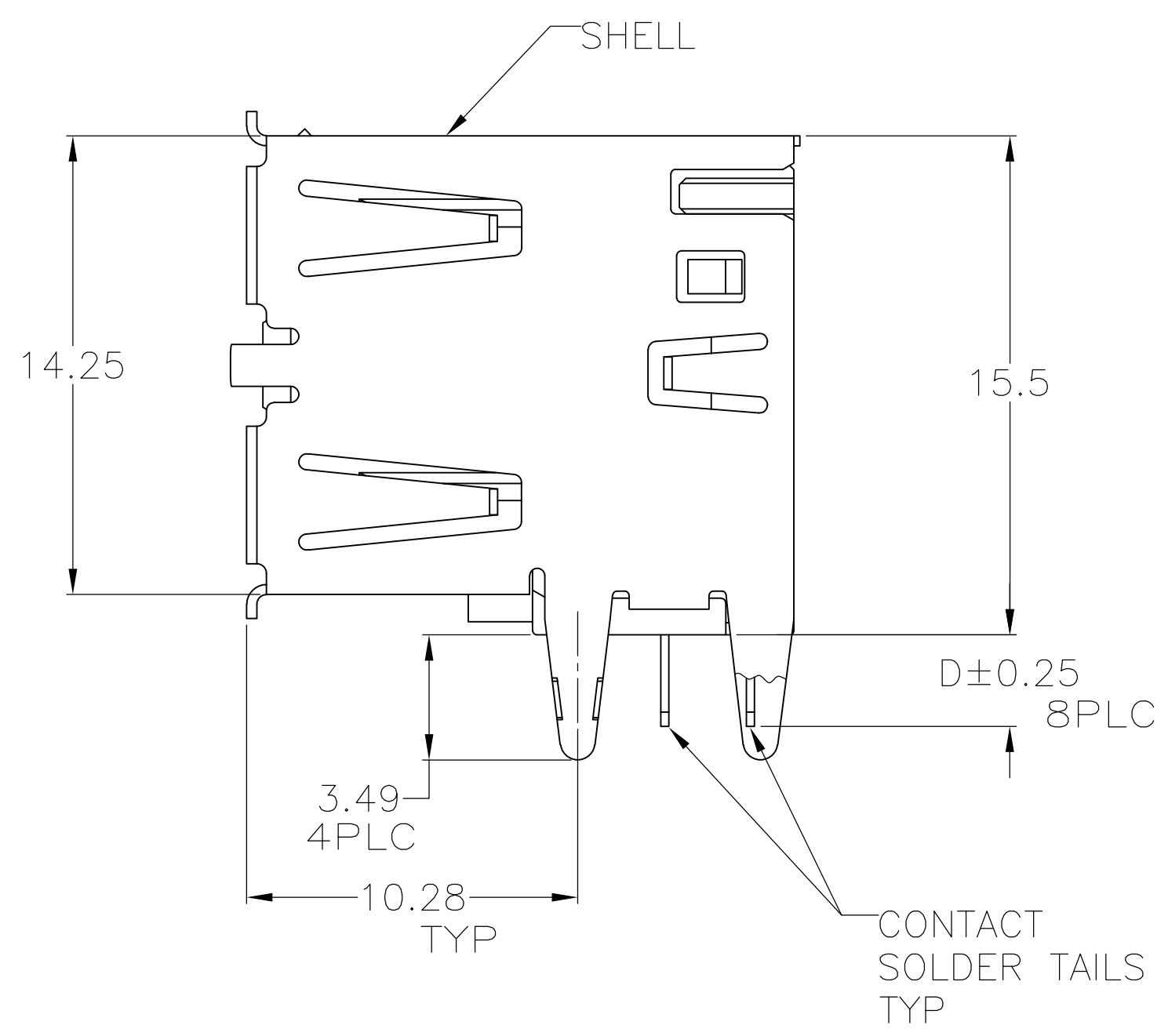
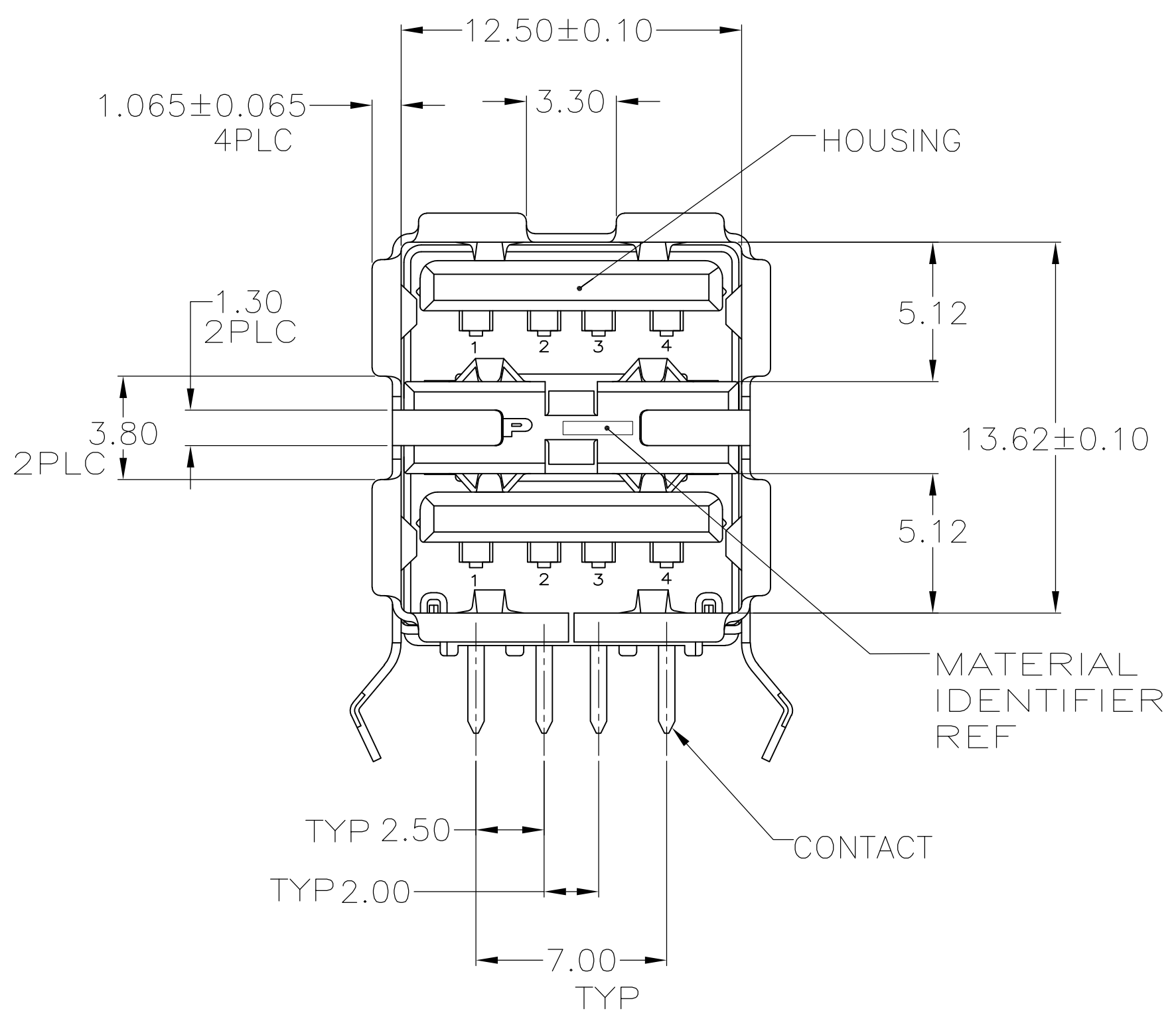


- ① MATERIAL:
SHELL & CONTACT-COPPER ALLOY
HOUSING-UL 94V-0 RATED, THERMOPLASTIC,SEE TABLE
- ② PLATING:
CONTACT- 0.076um MIN. GOLD OVER 0.76um MIN.
PALLADIUM-NICKEL ON MATING AREA ,OR CONTACT ALTERNATE
PLATING 0.76um MIN. GOLD ON MATING AREA.
3.8um MIN. MATTE TIN ON SOLDER TAILS.
BOTH OVER 1.27um MIN. NICKEL.
SHELL:2~6.5um MIN. BRIGHT TIN.
- ③ DATUM AND BASIC DIMENSIONS ESTABLISHED BY CUSTOMER.
- ④ RECOMMENDED PC BOARD THICKNESS 1.57.



RECOMMENDED PC BOARD MOUNTING DIMENSIONS
 ④

NO	3.24	BLACK	292323-6
YES	2.29	BLACK	292323-5
YES	2.84	BLACK	292323-4
NO	2.84	NATURAL	292323-3
NO	2.29	BLACK	292323-2
NO	2.84	BLACK	292323-1

HIGH TEMPERATURE COMPATIBLE	D	HOUSING COLOR	PART NUMBER
-----------------------------	---	---------------	-------------

THIS DRAWING IS A CONTROLLED DOCUMENT.

DRAWN: SUNNY XU	25FEB2004	Tyco Electronics Corporation Shanghai, P.R.China, 200233
CHEK: S. YAO	25FEB04	
APVD: T.SASAKI	25FEB04	NAME: RECEPTACLE ASSEMBLY ,RIGHT ANGLE STACKED,THRU-HOLE USB
PRODUCT SPEC: 108-1586	APPLICATION SPEC: 114-40054	SIZE: A1
MATERIAL: ①	FINISH: ②	SCALE: 5:1
CUSTOMER DRAWING		SHEET 1 OF 1